

DYNAPAC LARGE TRACKED PAVER RANGE

Dynapac SD2500C / SD2500CS
SD2550C / SD2550CS



Atlas Copco



EXCELLENT PAVING QUALITY

THE ATLAS COPCO DYNAPAC SD PAVERS combine decades of experience with constant innovation. During the development we have focused on the paving process and paving quality as well as increasing the reliability of the machines. The Dynapac SD range features the widest variety of choices: gas or electric heating, standard or high capacity work, 4 different power classes offering a sustainable drive concept, with Eco mode or an optional high performance system called VarioSpeed. All pavers come with the same service concept and operating system to ensure maximum uptime.

QUALITY

To achieve the best paving quality you need to rely on a high-performance screed, smooth material flow and an efficient, powerful drive.

The paving quality is measured in compaction, evenness and profile - the Dynapac SD paver range will help you to achieve your paving goals!

INTELLIGENCE

Our intelligent control system PaveManager 2.0 combined with the new 7" display provides you with excellent monitoring of the complete paving process and ensures an optimal material flow.

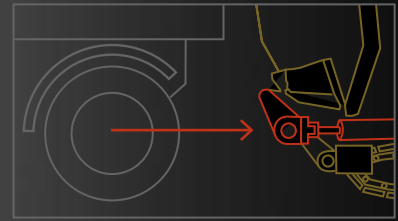
PaveManager 2.0 offers advanced features such as a real time paving parameter overview, paving parameter memory function and automatic crown and slope settings. Combined with additional sensors, PaveManager 2.0 can also display real-time layer thickness and working width data.

	SD2500C	SD2500CS	SD2550C	SD2550CS
Eng. power at 2,200 min ⁻¹	129 kW	142/149 kW	164/168 kW	194 kW
Theor. paving capacity	650 t/h	800 t/h	900 t/h	1,100 t/h
Max. working width	9.00 m	10.00 m	12.00 m	14.00 m

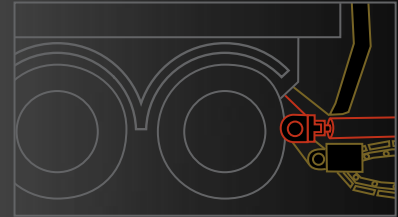


***SMOOTH MATERIAL FLOW
ERGONOMIC DESIGN
A SUSTAINABLE DRIVE CONCEPT
EXCELLENT PAVING QUALITY***

HIGH CAPACITY



Truck approaches



Shock is absorbed



Truck pushed back to position

SAFE IMPACT SYSTEM™

The Dynapac SD tracked pavers offer the safe impact system™ – a hydraulic anti-shock push roller that avoids the typical marks on the surface due to truck docking. The system also extends the docking length and gives you flexibility when working with different truck models.

SMOOTH



TRACTION

Our Alpha-Track™ system is longer and wider to give you a smooth drive behavior and a perfect grip. The rubber track pads are 320mm wide which creates great ground contact. A high number of rollers inside the tracks improves the manoeuvrability on curves. The tracks are also very low to give an optimal dumping height. These track pads are especially designed for paving application and have higher rubber thickness for longer life and lower cost.



MATERIAL FLOW

Dynapac has designed the hopper with chamfered hopper edges to avoid cold asphalt sticking in the corners. A hydraulic front hopper flap reduces material spillage on the push rollers and on the road. It also helps to completely empty the hopper and reduces the

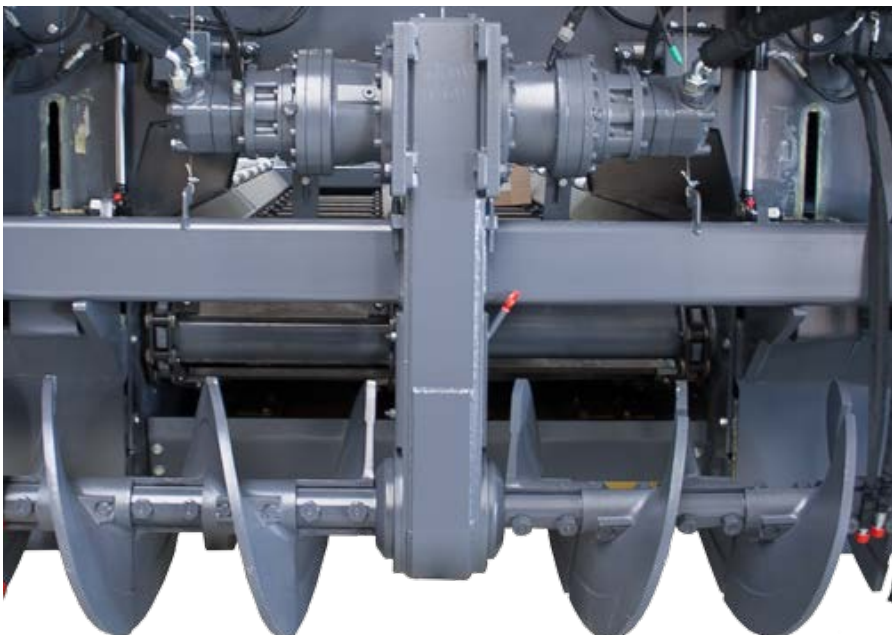


amount of hand shovelling required. A very low dumping height makes collision with trucks almost impossible. The generous hopper leads to the widest conveyor tunnel on the market. The tunnel is shaped to create the best flow and to avoid any segregation of asphalt material. The twin conveyor system, 2 x 655 mm wide, with reversible drive,



offers smooth material flow without segregation. We have a standard conveyor as well as a high capacity conveyor with double the number of conveyor bars for improved material flow. The auger compartment is fully visible from the operator's position. The auger and auger tunnel are easily extended to fit wider working widths.

WORK FLOW



POWERFUL AUGER SYSTEM

The Dynapac auger drive system is an improved centrally driven system with a slim gearbox (15cm) and small outer bearings that allow homogeneity of mixture, despite the high material throughput of up to 1100 tons per hour. The left and right auger drives have independent and reversible controls. This strong auger system has a torque to handle auger diameters from 380 mm up to 500 mm. In order to achieve optimized material flow for different paving thicknesses you can adjust the auger height hydraulically up to 250mm while paving.

ERGONOMIC WORKING PLACE



EXCELLENT VISIBILITY

All round visibility! The operator has a clear view into the hopper, conveyor and auger compartment, as well as on the marker bar plus he has direct eye contact with screed operators and truck drivers.

The platform slides out up to 50 cm on both sides just by pressing a button on the dashboard.

MEETING



OPERATOR'S COMFORT

Our ergonomically designed cabin makes sure that the operator can work comfortably and effectively at all stages of the process. The platform offers generous head room and a flat floor with ample storage space. The big storage boxes in the floor of the platform

improve the rear view. The roof offers 2 integrated working lights to the front and to the rear. The ergonomic seats, also available with seat-heating, can be adjusted to any position you need. Repositioning the dashboard has become even easier with the improved dashboard console.

The Dynapac SD paver generation also offers a weather house with opening side and front windows for comfortable operation in all weather conditions. To improve the working environment and keep the fume level around the operator stand low, an optional fume suction system is available.

IMPROVED PROCESS CONTROL

TRUCK DOCKING MADE EASY

Atlas Copco's TruckAssist system is designed to help trucks dock correctly and safely with the paver by simplifying communication between the paver and truck driver. The system comprises two sturdy, LED bars which are strategically positioned on both hopper edges.

TruckAssist allows safe, efficient communication between the drivers of the paver and the truck, and enable the paver driver to remain in control of the truck docking process at all times. This feature is particularly useful in low noise areas, reducing the need to use the horn.



FAST, EASY REPOSITIONING WITH SETASSIST

SetAssist system is especially useful where there is a large amount of spot work involved as it is designed to reduce setting and transport times on the jobsite. Now the paver driver has the option to save the position of the auger and screed before moving from one section to the next. One push of a button on the redesigned operator panel will then lift the hydraulic front flap, auger and screed, lock the screed for transport and reverse the conveyor slightly. Other features can be added by demand.

YOUR NEEDS



MAINTENANCE WITHOUT OBSTACLES

We have cleared the way to make maintenance easy. Hydraulic pumps, fuel caps, chain clamping device – each component is directly accessible and easy to find. A simple visual inspection of filters and engine parts allows you to quickly check the basics. It is a convenient combination that'll save you time and money.

RAPID ACCESS THROUGHOUT

With the aim of saving you time and money through easy access, we've made the service points more easily accessible in a central location. The fuse box is easy to access from the cabin platform allowing rapid replacement. The sheer number of plug-and-play components also speeds up the maintenance process.

FEATURES & BENEFITS

ERGONOMIC DESIGN

Excellent view to the hopper and all working areas due to the higher seat position and moveable platform. An optional weatherhouse with opening windows is available.

VARIO SPEED

Load sensing hydraulic system to reduce fuel consumption.

LOW NOISE

Reduced noise level through an efficient drive concept, additional noise insulation and a noise optimized screed design.

MATERIAL TRANSFER

Unmatched capacity for reduced segregation & improved paving quality.

SAFE IMPACT SYSTEM

Hydraulic push rollers for reduced impact from trucks.

ALPHA TRACKS

More ground contact for better traction & improved life.





INTEGRATED WORKING LIGHTS

Atlas Copco offers all lighting systems for night work: halogen, LED, lighting balloons; auger & engine compartment lights as well as side and screed lights for wider working widths.

PAVEMANAGER 2.0

Intelligent control of the paver and the paving process for better quality.

STRONG AUGER

Slim auger drive with hydraulically adjustable height up to 25cm. Atlas Copco offers auger diameters from 380-500 mm.

SAFE TRANSPORT

Hydraulically operated locking cylinders for the leveling arms. Safe and easy!

DYNAPAC SCREED

Best in business with integrated leveling functions for excellent quality. The Flexilever offers fast and convenient change of the screed angle for different layer thicknesses.

HIGH PERFORMANCE SCREEDS



4-TUBE PRINCIPLE

Dynapac screeds are the most appreciated screed on the market, worldwide!

The screed is extremely stable due to our well-proven four-guiding tube principle which offers unmatched screed stability. Our screeds are easy to assemble while they don't need any supporting rods, even at large working widths. This allows you to fully focus on the paving process and save money on set-up times.

ELECTRIC OR GAS – YOUR CHOICE!

Our optimized electrical heating system features high quality insulation and a stronger generator that significantly reduces heat-up times. The generator is driven by a flexible shaft from the gear box that offers great reliability and reduced maintenance. We are able to achieve even heat distribution thanks to our well-designed heating coils for bottom plates and tampers. Those opting for our gas heating system gets a remarkably shorter heat-up time and amazing pavement quality from the first stretch of track! Dynapac supports sustainable gas heating systems to reduce energy consumption as well as CO₂ emissions.



ECCENTRIC FLEXILEVER

Dynapac's unique Flexi Lever quickly and conveniently changes the angle of attack. This offers a visual control of screed settings to adopt various layer thicknesses during the paving process. Lever adjustment is made with a simple.



ERGONOMIC SIDE SHIELD CONTROL

The height and the angle of the side shield are adjustable with only one crank. The crank is placed on top of the side shield below the remote control, creating a comfortable, central workplace for the screed operator.



ERGONOMIC WORK PLACE

In addition to effective compaction the Dynapac screed offers great accessibility. The low height gives you a superior view into the auger compartment and constant control over material flow. This low profile screed provides a central, safe and ergonomic workplace.



	VARIO SCREEDS		HIGH COMPACTION SCREEDS		RIGID SCREED
	V5100TV/TVE	V6000TV/TVE	V5100TVH	V6000TVH	R300TV/TVE
Basic width	2.55 m	3.00 m	2.55 m	3.00 m	3.00 m
Hydraulically extendable to	5.10 m	6.00 m	5.10 m	6.00 m	N A
Heating system	LPG/ Electric	LPG/Electric	Electric	Electric	LPG/ Electric

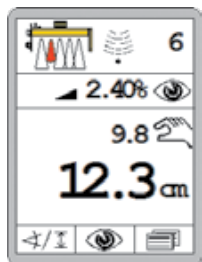
Maximum working width (with extension parts)

SD2500C	8.80 m	9.00 m	8.10 m	9.00 m	N A
SD2500CS	8.80 m	9.70 m	8.10 m	9.00 m	10.00 m
SD2550C	8.80 m	9.70 m	8.10 m	9.00 m	12.00 m
SD2550CS	8.80 m	9.70 m	8.10 m	9.00 m	14.00 m

INTELLIGENT MANAGEMENT

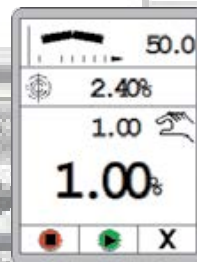
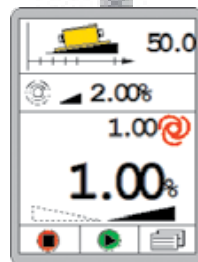
PAVEMANAGER 2.0

The SD pavers feature the updated PaveManager 2.0 control system that offers unmatched paving control for all applications from highway to city paving. This system ensures optimized paving performance again and again. Our high end integrated control system is intelligent and directly connected through a CAN-BUS system. This assures fast and reliable communication. Many changes and adjustments made on the remote control can also be made from the dashboard and vice versa. The remote control recognizes all leveling equipment from MOBA. They are self-configuring, meaning that you can use each one on either side. Both dashboard and remote controls offer color display and intuitive self-explanatory menus and functions. Symbols and pictures make handling even easier.



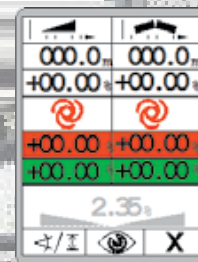
REMOTE CONTROL

The software offers individual configuration. You select the parameters to be shown in the main view based on your needs.



AUTOMATIC PROGRAMMING

Automatic programming of slope and / or crowning for the paving distance.



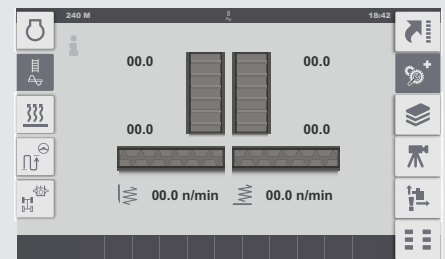
MULTIFUNCTION

Allows you to track two parameters in one screen. The function can also be used as a crossover function where one screed operator can monitor and control both screed sides from one remote control.



MAIN VIEW

Full control in one shot. The main view gives you an overview of the complete paving process. All essential parameters at-a-glance. Monitoring the position of the leveling cylinder, material level on the conveyors, screed temperature, paving speed and fuel level. Also featuring shortcuts to other menus.



MATERIAL FLOW - CURRENT VALUE

Overview of actual material flow parameters.



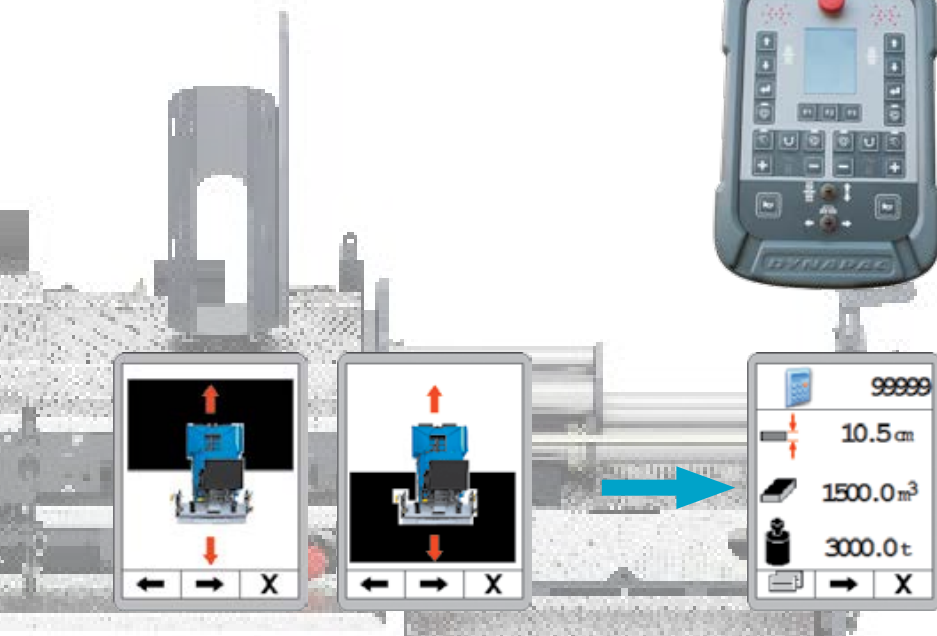
MATERIAL FLOW - SETTING

Following the actual parameters view, you can go into settings for material flow. From there, you can save your values with the memory function.



MEMORY FUNCTION

The memory function allows you to save five paving situations: two wear courses, two binder courses and one base course. This saves time and ensures good paving results.



MATERIAL CALCULATOR

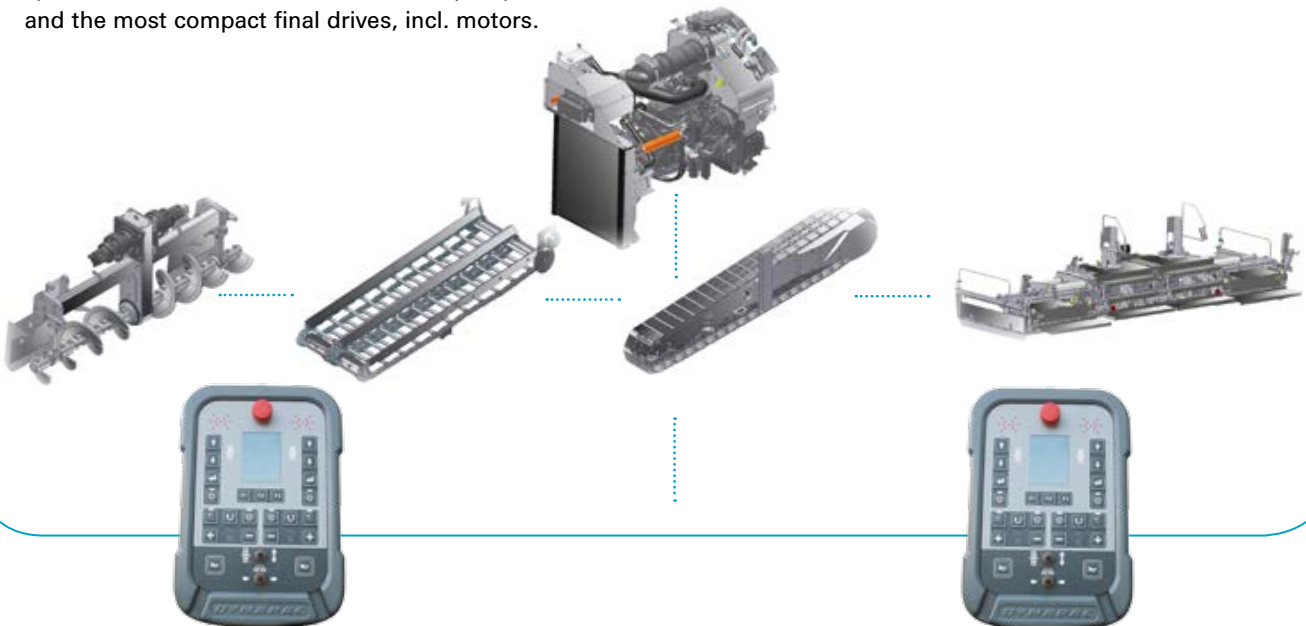
This function calculates material paved and material to be paved. You simply enter the parameters of the job ahead of you and the program calculates how much material will be needed. Optional sensors give real-time input on screed width and layer thickness.

SUSTAINABLE DRIVE CONCEPT



Dynapac SD Pavers are powered by a Cummins QSB6.7 diesel engine with emission stage IIIA/IIIB/IV. The power unit offers optimized energy conversion through: load-sensitive engine speed control; use of the most efficient pumps and the most compact final drives, incl. motors.

The cooling system is driven by a hydraulic motor that is thermostatically controlled for efficient cooling. The CAN-BUS system ensures high operational reliability and centralised control.



VARIOSPEED

Optimal rpm at all times! VarioSpeed is a Dynapac patented drive concept that recognizes the required rpm for the specific working situation. A computer senses and controls the needed rpm, infinitely! This is an option that will save you money. It can save up to 15% on energy costs. Fuel consumption is reduced and the life of your engine is increased!

This is a standard feature on SD Pavers with stage IV engines, others can be upgraded to VarioSpeed at any time.

ECOMODE

Dynapac EcoMode's stepless operation makes it unique. You can adjust the engine rpm to suit the conditions of your particular job site. Instead of having a fixed rpm level, you individually set the level for the particular working situation in the eco-function. This function gives you lower fuel consumption, less noise and a longer life for your engine.

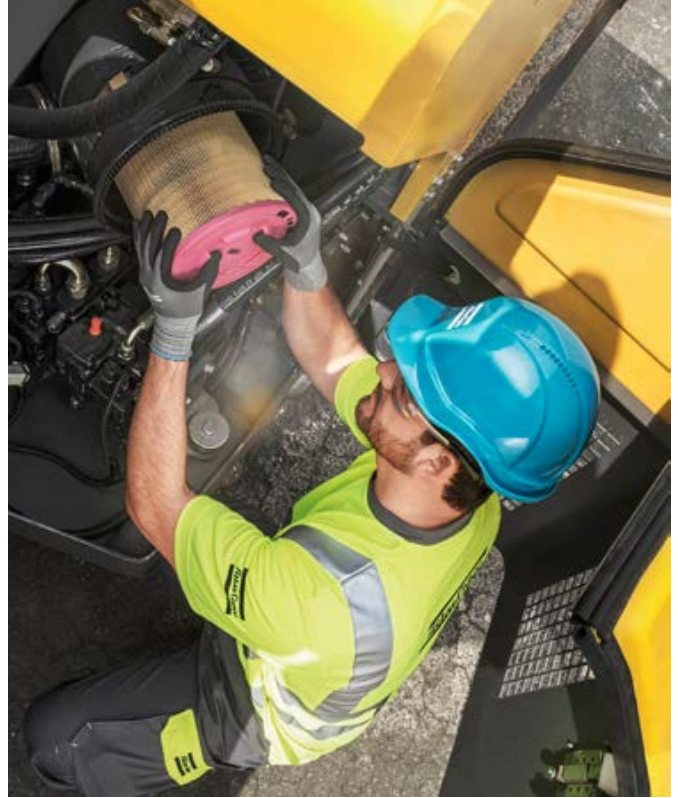


SERVICE COMMITTED TO YOUR FUTURE

TRAINING

Atlas Copco Road Construction division puts a lot of focus on development of local competence within our customer centers and dealers. With many years of experience at our production facilities in handling Road Construction Equipment we have developed training packages that allow our service technicians as well as our customers to develop competence in both equipment application and maintenance. Please check our website for suitable training programs or ask our local representative.

Find details of training at [dynapac.com / training](http://dynapac.com/training)



EXTENDED WARRANTY & SERVICE AGREEMENTS

We have developed service agreements based on customer feedback, application know-how, field support knowledge, and product development experience. You can select a service agreement that meets your needs and budget, allowing you to get the most out of your equipment investment.

UPGRADE KITS

Our upgrade kits are an economical solution that ensures your equipment is up to date with the latest Atlas Copco technology. Upgrades are based on proven technological solutions, readily available and easily installed. They will maximize your equipment's productivity and market value, as well as optimize your equipment's efficiency, to increase your profits.



ALL-IN-ONE BOX KITS

An all-in-one box, tailored to match your equipment. The parts you need, when you need them! An all-in-one box contains all the parts required as part of the equipment's scheduled maintenance program. When installed by an Atlas Copco certified technician, downtime is kept to a minimum and your equipment stays in top condition its entire life.

Easy to obtain and attractively priced, the most effective solution to keep your maintenance budget low.

Find a suitable kit at [dynapac.com / kitselector](http://dynapac.com/kitselector)

FLUIDS

- The right fluid optimizes machine performance
- Simplified selection process, less time spent on finding the right oil
- Delivery in a handy container, no need for transfer from an oil drum
- All-in-one delivery, less time spent on waiting and dealing with different suppliers
- One invoice, less administration

Find a suitable fluid at [dynapac.com / fluidselector](http://dynapac.com/fluidselector)

GO MOBILE

Construction App

Find all the information about Atlas Copco Construction Technique's products and services.

Parts Online

User-friendly platform to find the spare parts and catalogues for construction equipment.

Shop Online

Handle your orders 24 hours a day. Fast, easy and safe.



TECHNICAL DATA DYNAPAC LARGE TRACKED PAVERS

	SD2500C	SD2500CS	SD2550C	SD2550CS
Weight				
Weight, t	18.5	18.5	20	20
Dimensions				
Basic width, m	2.55	2.55	2.55	2.55
Working width, max	9	10	12	14
Working width, min (w/reduction shoe), m	2	2	2	2
Capacity				
Placement thickness (max)	-150 bis +310	-150 bis +310	-150 bis +360	-150 bis +360
Capacity, t/h	650	800	900	1100
Material Hopper				
Dumping height center (w. hopper flap), mm	555 (570)	555 (570)	525 (540)	525 (540)
Hopper width, internal, mm	3292	3292	3292	3292
Traction				
Paving speed, m/min	1 - 28"	1 - 28"	1 - 28"	1 - 28"
Transport speed, km/h	0 - 4	0 - 4	0 - 4	0 - 4
Operator console	Slidable left/right			
Dashboard	Ergonomic dashboard with 7" color display			
Platform	Slidable platform (500 mm left and right)			
Engine				
Engine model	OSB6.7-C173	OSB6.7-C190 (200)	OSB6.7-C220 (225)	OSB6.7-C260
Rated power KW @ 2200 rpm	129	142 (149)	164 (168)	194
Emissions	according to Stage IIIA (T3), Stage IIIB (T4i) und Stufe IV (T4f)			
Electrical system, V	24	24	24	24
Fuel tank capacity, l	350	350	320	350
Crawler				
Crawler length, mm	2900	2900	3360	3360
Crawler width, mm	320	320	320	320
Final drive	Hydrostatic direct drives comprising planetary gear units and hydraulic motors, integrated in the crawler track frame			
Conveyor				
Conveyor type	Dual bar feeder			
Conveyor width, mm	2 x 655	2 x 655	2 x 655	2 x 655
Conveyor control	Automatic with limit switches			
Auger				
Auger diameter, mm	380	380	430	500
Auger control	Automatic with ultrasonic sensors			
Auger height adjustment, mm	250	250	250	250
Screed options				
Vario screed V5100TV/TVE & V6000TV/TVE	YES	YES	YES	YES
High compaction V5100TVH & V6000TVH	YES	YES	YES	YES
High compaction R300TV/TVE	NO	YES	YES	YES

COMMITTED TO SUSTAINABLE PRODUCTIVITY

We stand by our responsibilities towards our customers, towards the environment and the people around us. We make performance stand the test of time.

This is what we call - Sustainable Productivity.

Dynapac GmbH

Ammerländer St. 93 26203 Wardenburg, Germany
Telefon: +49 4407 9720 - Fax: +49 4407 972307 www.atlascopco.com

